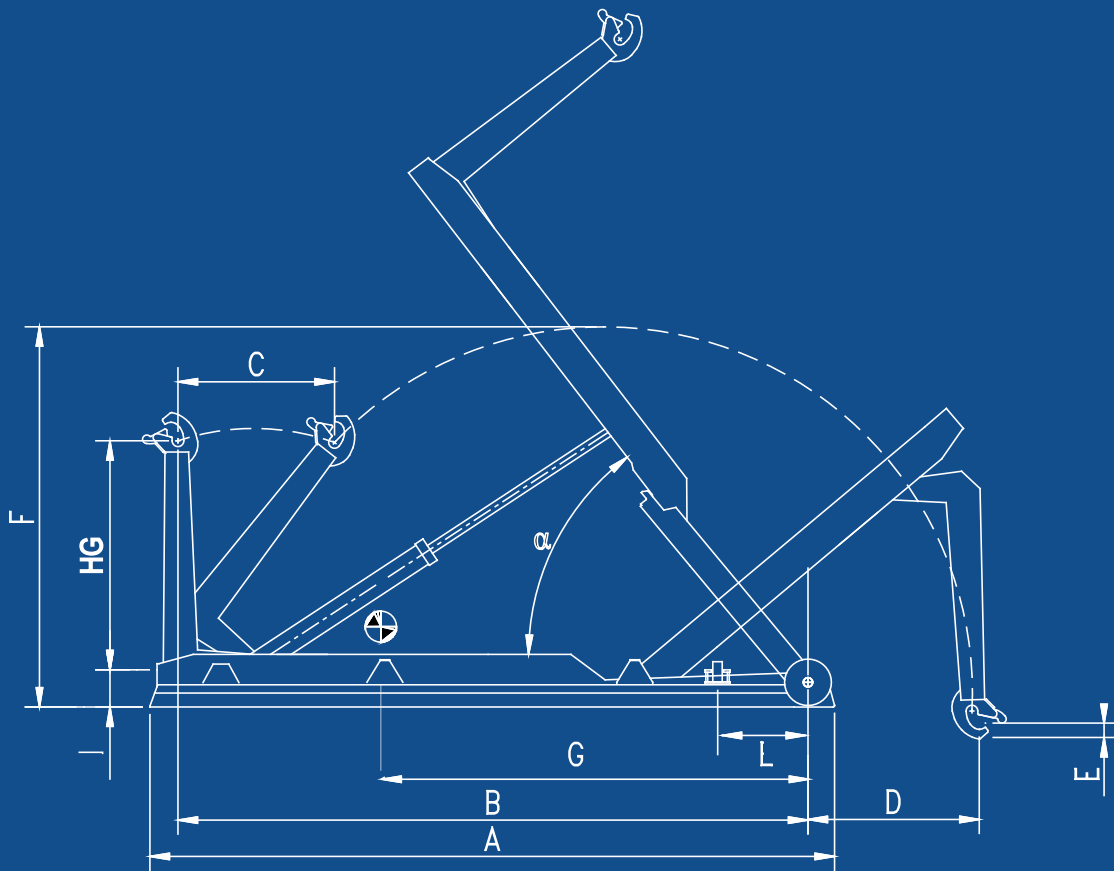




A10



A10 CLASS 2

CONTAINER

MODEL	HG	A	B	C	D	E	F	G	I	L	WEIGHT	α	MIN	MAX
A10 C	1425/1570	4200	3850	1000	1300	10	2450	2200	240	400	1580 kg	58°	3200	4400
A10 N	1425/1570	4400	4050	1000	1100	10	2450	2250	240	600	1600 kg	53°	3400	4600
A10 NL	1425/1570	4600	4250	1000	900	10	2450	2300	240	800	1630 kg	49°	3600	800
A10 L	1425/1570	4800	4450	1000	700	10	2450	2350	240	1000	1650 kg	45°	3800	5000