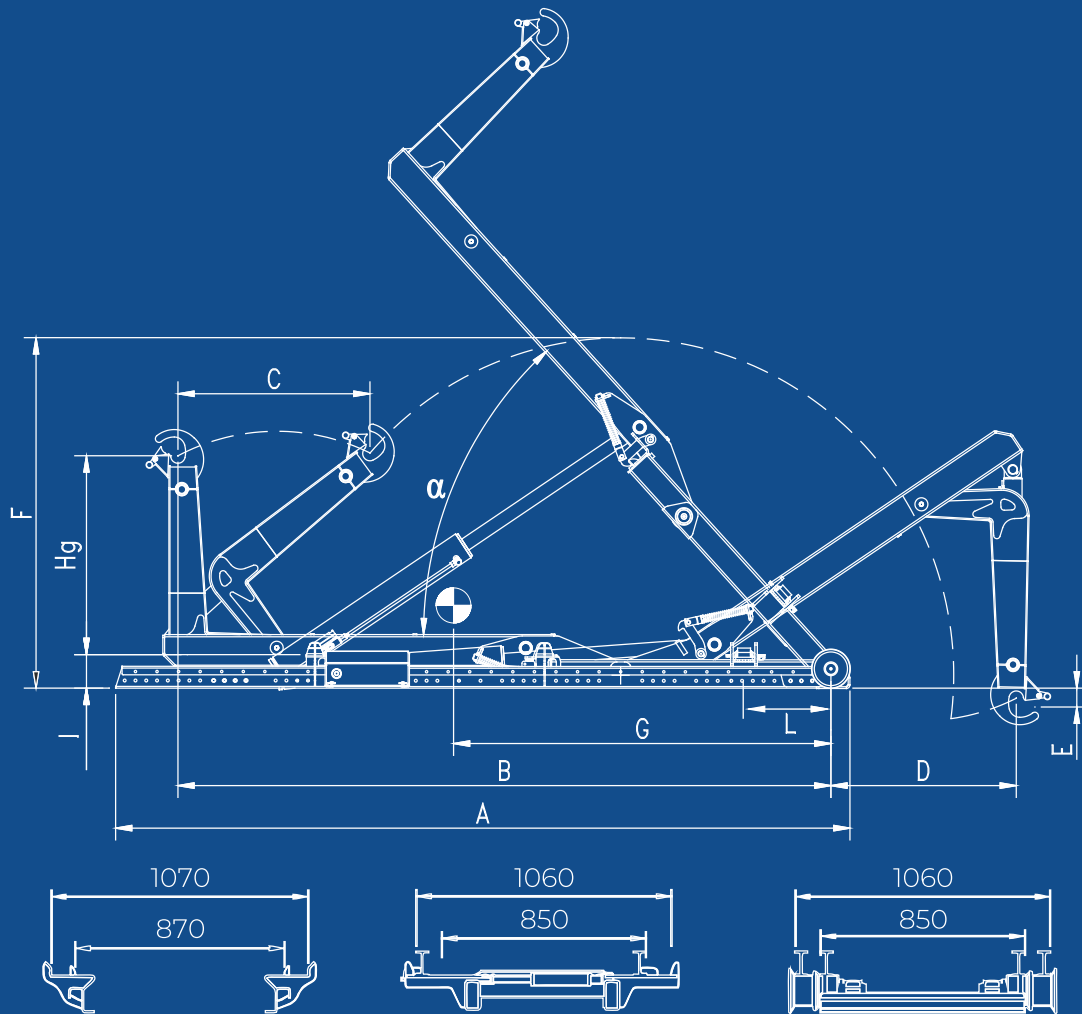


**bob**



**A4 MS**

**A4 MS****bob****A4 MS CLASS 1**

CONTAINER

MODEL	HG	A	B	C	D	E	F	G	I	L	WEIGHT	$\alpha$	MIN	MAX
A4 XC MS	900/920	3130	2470	890	910	220	1400	1500	155	150	450	57°	2000	3100
A4 C MS	900/920	3130	2750	890	1130	90	1600	1550	155	150	460	57°	2200	3400
A4 N MS	900/920	3405	3025	890	860	90	1600	1750	155	400	480	48°	2500	3600
A4 L MS	900/920	3405	3205	890	1000	0	1740	1800	155	400	500	48°	2700	3800

**A4 MS DOUBLE TRUCK - CLASS 1**

CONTAINER

MODEL	HG	A	B	C	D	E	F	G	I	L	WEIGHT	$\alpha$	MIN	MAX
A4 XC MS D.P.	900/920	3130	2470	890	910	220	1400	1500	155	150	470 kg	57°	2000	3100
A4 C MS D.P.	900/920	3130	2750	890	1130	90	1600	1550	155	150	480 kg	57°	2200	3400
A4 N MS D.P.	900/920	3405	3025	890	860	90	1600	1750	155	400	500 kg	48°	2500	3600
A4 L MS D.P.	900/920	3405	3205	890	1000	0	1740	1800	155	400	520 kg	48°	2700	3800

**bob italev** **bob ampliner** **bob unilift** **bob itranner**