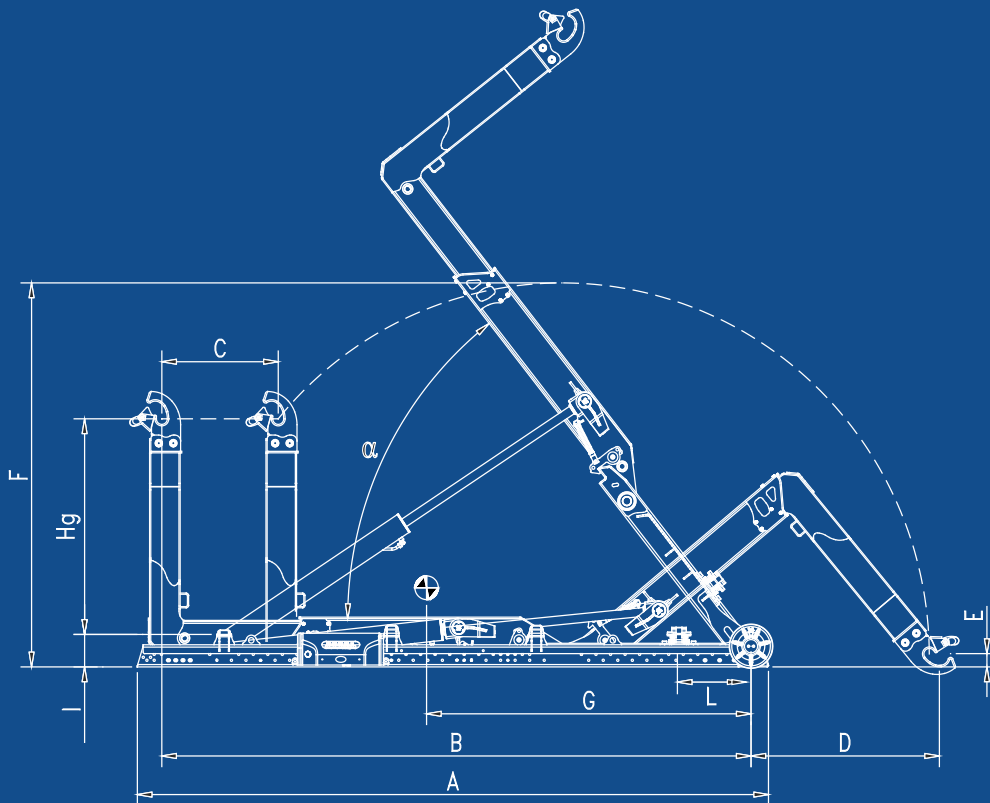


bob



T14 MS



T14 MS

MODEL	HG	A	B	C	D	E	F	G	I	L	WEIGHT	α	CONTAINER	
													MIN	MAX
T14 XC MS	1425/1570	5080	4400	800	1580	100	2880	2440	220	500	1665 kg	55°	4000	5000
T14 C MS	1425/1570	5080	4600	1000	1580	100	2880	2480	220	500	1665 kg	53°	4000	5200
T14 NC MS	1425/1570	5080	4800	1200	1580	100	2880	2510	220	500	1665 kg	50°	4000	5400
T14 N MS	1425/1570	5280	5000	1200	1380	100	2880	2660	220	700	1690 kg	53°	4200	5600
T14 NL MS	1425/1570	5480	5200	1200	1180	100	2880	2800	220	900	1715 kg	49°	4400	5800
T14 L MS	1425/1570	5680	5400	1200	980	100	2880	2940	220	1000	1740 kg	45°	4600	6000
T14 XL MS	1425/1570	5880	5600	1200	1140	0	3050	2980	220	1000	1810 kg	45°	4800	6200

T14 TP MS

MODEL	HG	A	B	C	D	E	F	G	I	L	WEIGHT	α	CONTAINER	
													MIN	MAX
T14 TP C MS	1425/1570	3840	3550	800	1270	60	2380	1940	220	450	1380 kg	52°	3200	4200
T14 TP NC MS	1425/1570	4040	3570	800	1070	60	2380	2070	220	500	1420 kg	47°	3400	4400
T14 TP N MS	1425/1570	4340	4050	800	1290	90	2600	2230	220	500	1465 kg	52°	3600	4600
T14 TP NL MS	1425/1570	4540	4250	800	1090	90	2600	2360	220	700	1510 kg	48°	3800	4800