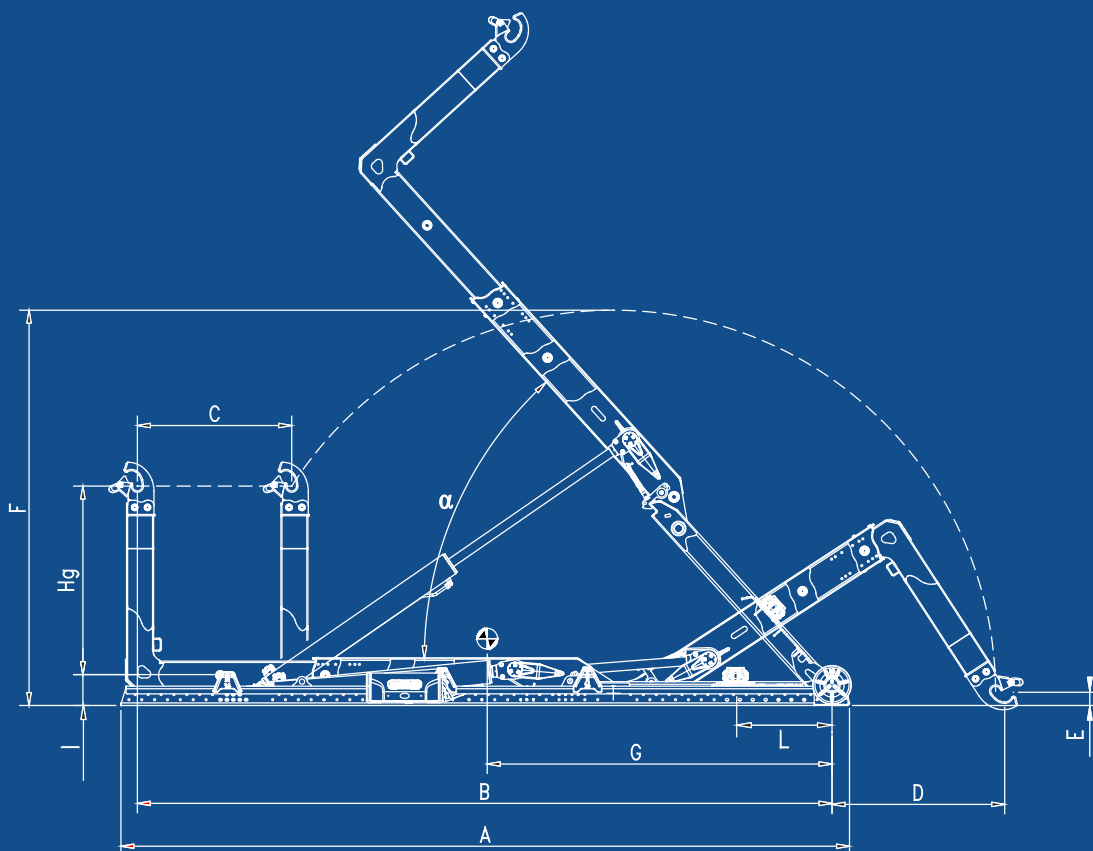


bob



T18 MS



T18 MS

MODEL	HG	A	B	C	D	E	F	G	I	L	WEIGHT	α	CONTAINER	
													MIN	MAX
T18 XXC MS	1425/1570	5280	4400	600	1740	100	3060	2460	240	450	1980 kg	55°	4200	5000
T18 XC MS	1425/1570	5280	4600	800	1740	100	3060	2460	240	450	1980 kg	55°	4200	5200
T18 C MS	1425/1570	5280	4800	1000	1740	100	3060	2490	240	450	1980 kg	55°	4200	5400
T18 NC MS	1425/1570	5280	5000	1200	1740	100	3060	2520	240	450	1980 kg	55°	4200	5600
T18 N MS	1425/1570	5480	5200	1200	1540	100	3060	2680	240	550	2010 kg	51°	4400	5800
T18 NL MS	1425/1570	5680	5400	1200	1340	100	3060	2820	240	800	2040 kg	48°	4600	6000
T18 L MS	1425/1570	5880	5600	1200	1140	100	3060	2960	240	1000	2070 kg	45°	4800	6200
T18 XL MS	1425/1570	6080	5800	1200	940	100	3060	3100	240	1100	2110 kg	42°	5000	6500

TL18 MS

MODEL	HG	A	B	C	D	E	F	G	I	L	WEIGHT	α	CONTAINER	
													MIN	MAX
TL18 C MS	1425/1570	6230	5750	1300	1560	130	3280	3130	240	750	2190 kg	54°	4800	6400
TL18 NC MS	1425/1570	6430	5950	1300	1360	130	3280	3260	240	1000	2230 kg	51°	5000	6600
TL18 N MS	1425/1570	6630	6150	1300	1160	130	3280	3390	240	1100	2270 kg	48°	5200	6800
TL18 NL MS	1425/1570	6830	6350	1300	960	130	3280	3420	240	1300	2310 kg	46°	5400	7000
TL18 L MS	1425/1570	7030	6550	1300	790	130	3280	3650	240	1500	2350 kg	44°	5600	7200