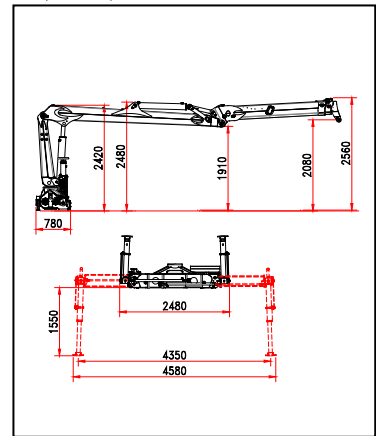
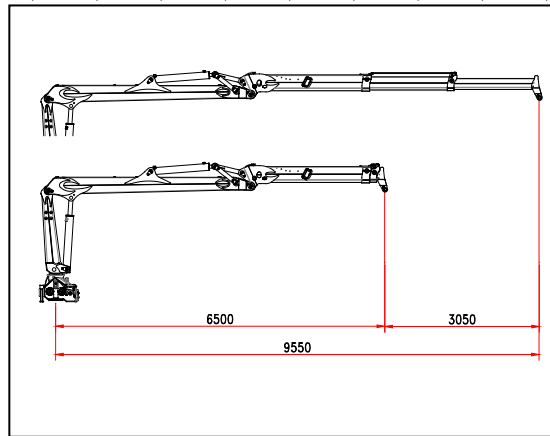
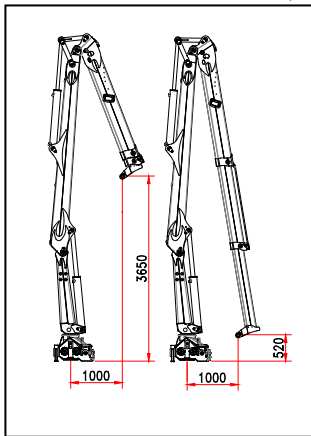
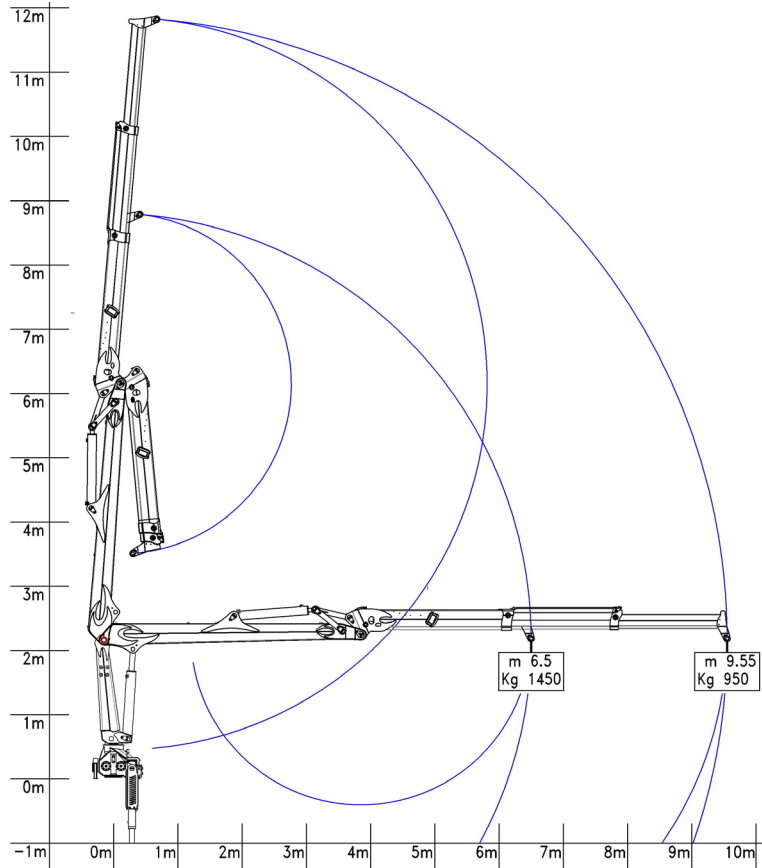


# R 110 MS2

EDIT 220620



|                 |         |                    |            |
|-----------------|---------|--------------------|------------|
| Lifting moment  | 110 KNm | Pump capacity      | 1x80 l/min |
| Max outreach    | 9,55 m  | Double pump (OPT.) | 2x70 l/min |
| Rotation        | 425°    | Pressure max       | 250 bar    |
| Rotation torque | 27 kNm  | Weight             | 2300 kg    |

CRANE DESIGNED ACCORDING TO STANDARDS UNI EN 12999 HC1 HD4 S4 (EX DIN 15018 H1B4)