

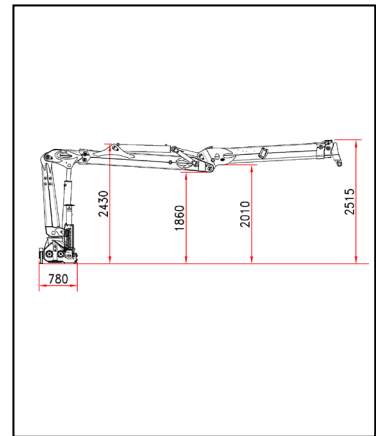
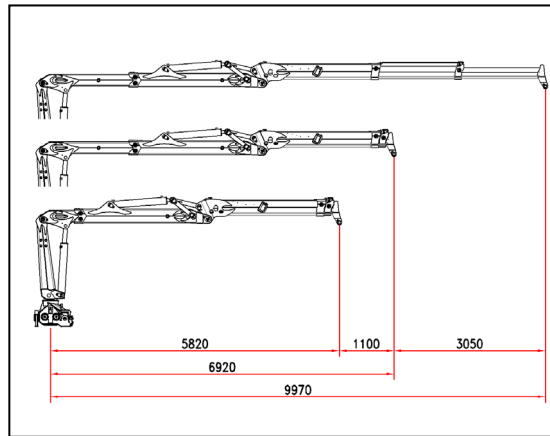
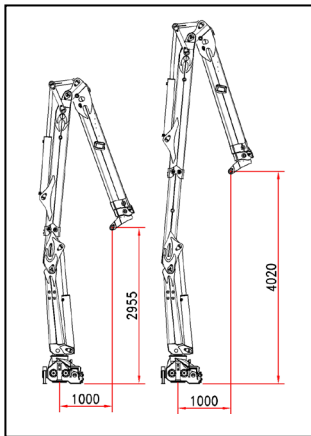
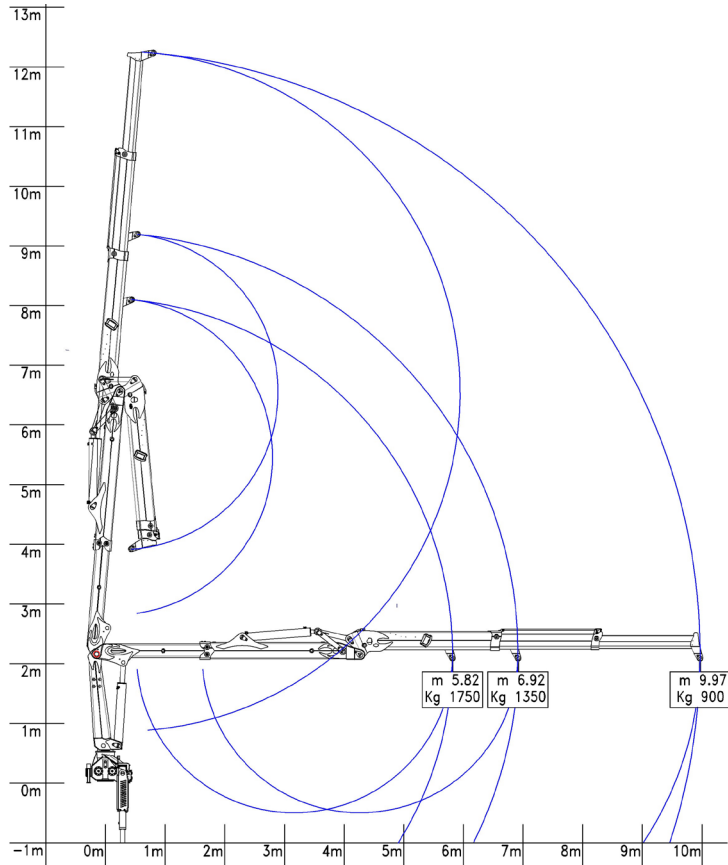


*lift your life*



## R 110 S3L

EDIT 220620



Lifting moment	110 KNm	Pump capacity	1x80 l/min
Max outreach	9,97 m	Double pump (OPT.)	2x70 l/min
Rotation	425°	Pressure max	250 bar
Rotation torque	27 kNm	Weight	2500 kg

CRANE DESIGNED ACCORDING TO STANDARDS UNI EN 12999 HC1 HD4 S4 (EX DIN 15018 H1B4)

B.O.B. Sistemi Idraulici S.p.A. Regione Oltre Rea, 32 - 12060 Monchiero (CN) Italy  
 P.I. 00496180043 - ph. +39 0173 780 002/3 Fax +39 0173 780 004 - E-mail [info@bobspa.com](mailto:info@bobspa.com) - web [www.bobspa.com](http://www.bobspa.com)

**bob italev**

**bob ampliner**

**ITRunner**

**bob unilift**

**bob itranner**